

Navitar U-Touch

Slim-fit touchscreen for plasma displays



- **Bright color-rich picture**
Less than 15% light loss with excellent viewing angle.
- **Anti-glare protective coating**
Ideal in most ambient environments with scratch resistant screen surface.
- **Lightweight durable construction**
Only adds 25mm to the outside edge of plasma display.
- **Simple to install and set-up**
No special skills or training required, connects to PC serial port.
- **Touch and navigate**
Move through window applications, point and click, even emulates right mouse button.
- **Compatible with most plasma displays**
Vendors including Eizo, Fujitsu, NEC, Panasonic, Pioneer and Hitachi.
- **Maintain infrared control of plasma screen**
Designed to ensure infrared sensor is not obstructed by the overlay.
- **Compatible with all Windows platforms**
Runs with any PC applications under Windows 9x, NT, 2000, ME, XT.

Applications:

Gaming and entertainment
Exhibitions & conferences
Video conferencing & collaboration
Multimedia Presentations
Business review meetings
Education & Training
Process control and plant monitoring
Military Briefings
Sports & coaching

U-Touch screen overlays for plasma displays

Turn your plasma display into an interactive experience by simply attaching the U-Touch screen overlay to the front of your plasma screen. Set-up and connection is fast and easy. Touch the screen and experience the immediacy and excitement of navigating through windows or multimedia programs. Applications are limitless, ranging from conference room collaboration to public information kiosks. Also, because the overlay is a lightweight slim-fit design, in keeping with the overall look and feel of the plasma display – you barely notice it. Further, the U-Touch takes full advantage of its resistive membrane technology, maintaining high contrast picture quality, accuracy and sensitivity.

Navitar U-Touch

Slim-fit touchscreen for plasma displays



Specifications

Construction	Aluminum case, mild steel brackets, safety glass
Bezel color	Gun metal grey, optional colors available
Luminous transmission	85% +/- 2% ASTM D1003
Viewing angle	160 degrees
Aspect ratio	16:9
Operating voltage	5 volts DC (70mA typical)
Power supply	Power tap from keyboard/mouse port
Communications	RS232 serial port, 9600 baud
Touchscreen type	Resistive membrane
Touch membrane	175 microns
Touch activation force	50 grams nominal
Linearity	Less than +/- 1% error
Touch durability	5 million touches in single location
Operating temperature	0 to 50 degree C
Operating humidity	Up to 90% non-condensing
Warranty	1 year parts and labor
Weight: 61"	49-52 lbs.
50"	34-36 lbs.
42"	24 lbs.

Compatibility

Eizo	P5071, P5072
Fujitsu	PDS4233, 4234, 4241, 4242, PDS5000, PDS6101
Hitachi	CMP5000
NEC	42MP3, 42MP4, 50MP2, 61MP1
Panasonic	TH42PWD, TH50PHD
Pioneer	PDP503MXE, PDP610
LG	LGMZ60PZ
Sony	PFM42B2
Samsung	PPM42S2, PPM50H2

Alternate and earlier models available upon request

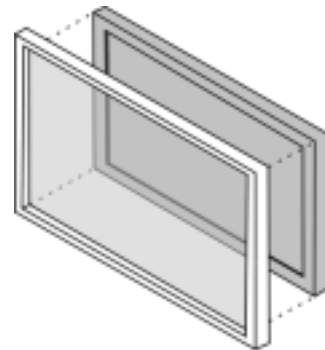
Recommended Requirements

Pentium or higher PC
128 MB RAM
Windows 95 or higher
10 MB free hard disk space
Spare serial COM port
PS/2/mouse/keyboard port

What's included

Interactive touchscreen overlay
Controller interface
Connecting cables
Mounting brackets
Touchscreen drivers
U-Touch Presentation Tools

U-Touch Screen



Plasma Display

Models and dimensions

42 inch displays

Fujitsu, NEC, Samsung, Sony	43.7"x28"x1.1" (1110 x710 x29mm)
Panasonic	42.8"x26.8"x1.1" (1088x680x29mm)

50 inch displays

NEC	51.2"x32.6"x1.1" (1301x827x29mm)
Fujitsu, Panasonic, Pioneer	50.4"x31"x1.1" (1280x786x29mm)
Hitachi, Samsung	

61 inch displays

NEC, Pioneer	60.7"x37.4"x1.1" (1541x951x29mm)
Fujitsu, LG	Call



200 Commerce Drive
Rochester, NY 14623
Phone: 585-359-4000
Fax: 585-359-4999
website: <http://navitar.com>
email: info@navitar.com

Technology for keeping touch